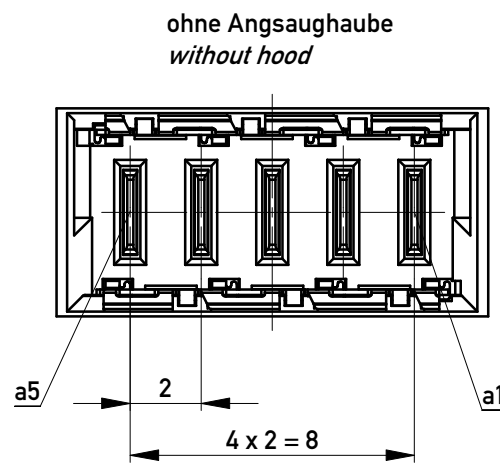
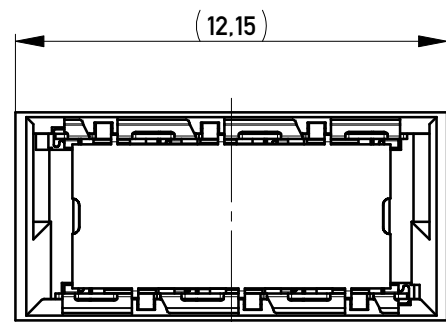
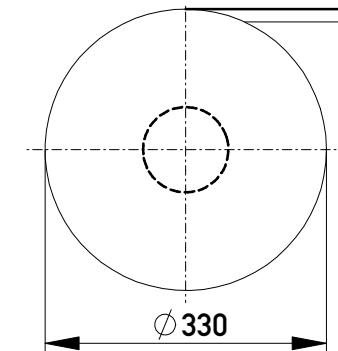
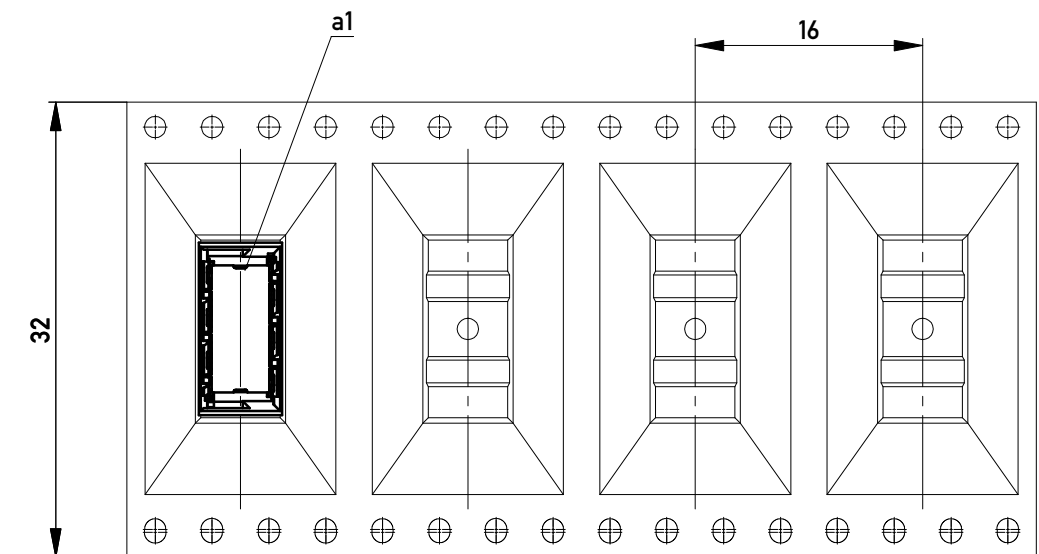


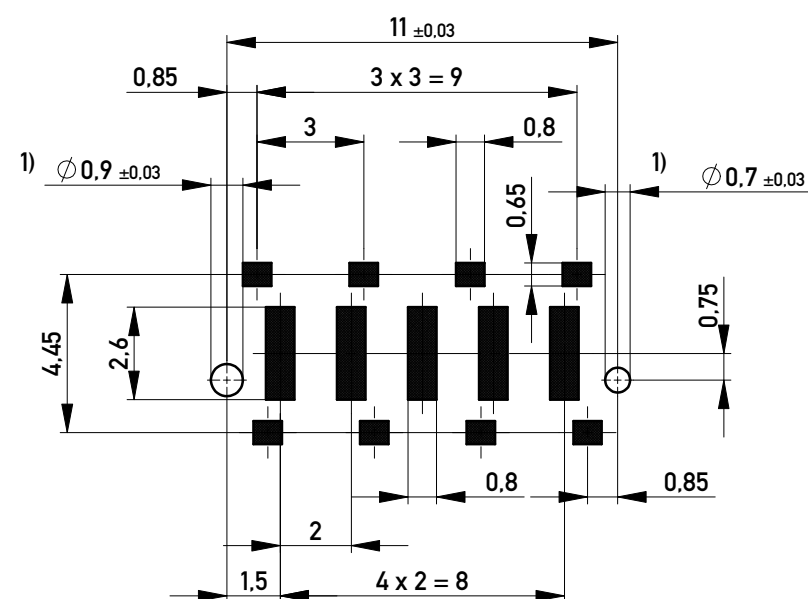
Verpackt in Gurtverpackung
 Tape on Reel Packaging
 Verpackungseinheit: 420 Stück
 Packaging unit: 420 pcs



Abspulrichtung - Reel off Direction



Leiterplatten-Layout Vorschlag / PCB-Layout Proposal



1) Durchmesser des Bohrers / Drill tool

Anforderungsstufe 1
 Performance Level 1

Kontaktbereich vergoldet
 Mating Area gold plating

Anschlussbereich verzinkt 4-6 µm
 Terminal Area 4-6 µm tin plating

Koplanarität der Anschlüsse ≤ 0,1 mm
 Coplanarity Area of Termination ≤ 0,1 mm

Information: All rights reserved. Only for Information. To ensure that this is the latest version of this drawing, please contact one of the ERNI companies before using.	Tolerances All Dimensions in mm	Scale	5:1
		Designation Messerleiste SMD, Powerm. 1mm Male Con. SMD, Powerm. 1mm	
k Index	05.09.2012 Date	 www.ERNI.com	100401590001 Class MSPEED
			K A3

Copyright by ERNI GmbH
 Proprietary notice pursuant to ISO 16016 to be observed.